

DMX512

Decoder Series



CE RoHS

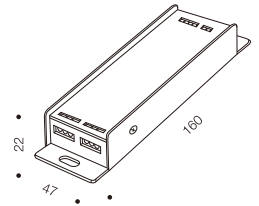
Specifications

Model:	DE8008		
Input:	DC12-24V	Max output Power:	144W(12V)/288W(24V)
Max current Load:	4A*3CH Max 12A	Signal Input:	DMX512/1990
Control channels:	3CH	The light gray level:	256
Protection Grade:	IP20	DMX512/PWM Socket:	Screwless terminal
Gross Weight:	220g	Work Temp.:	-30°C~70°C

Basic Features

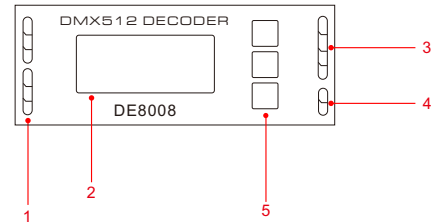
- Follow DMX 512 / 1990 protocol.
- Input power supply: 12 - 24 VDC, 3 - channel output, maximum 4a per channel.
- Can achieve asynchronous color changes effect under working with controller.
- With the digital display to show the program.
- 256-levels brightness,full-color with driver controls.

Dimensions



Unit: mm

Component Diagram



- 1.DMX Signal IN/OUT
2. Address Digital Tube
- 3.LED lamps Connection Socket
- 4.Power Input Socket
- 5.Adjust key

Product Operation



Lock key



Up



Down

Nixie tube will enter the locked state after no one uses it for 1 minute.

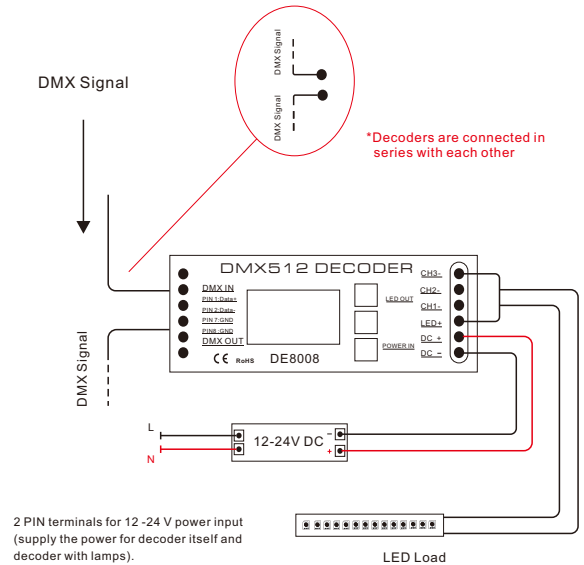
through the digital tube display the address, through the switch control address code, when adjust to the address code of you need, can press lock key and lock the current address code, if in the current state not press the lock key, in 3 seconds the system self-locking address, demand reset address code, first press the unlock key, then set the address code (in the lock key operation, the third paragraph digital tube will show the corresponding instructions), if in 5 minutes didn't any operation with the switch, so digital tube will close, if want to see the show again, then press the unlock key.

Address code Settings

such as the first DE8008, put into 001, the second is set to 004 A DE8008 accounted for three IP address.

There is a self-test program inside. the value is set to the address of 000. RGB is fully lit and output. after 3 seconds, RGB jumps and outputs circularly.

Wiring diagram



- *DMX5000 output and DE8008's transmission lines can't be over 300 meters.
- *DMX5000 each interface can with not more than 170 pieces of DE8008. Eight output interface. Through the JBLEED FLASH light making software and can with computer on line control. Realize infinite contact the DMX lights.
- *When connected 32 pieces of DE8008, DMX signal must add a signal amplifier RE2000 cascade can't more than 4 PCS.

Suitable lamps and lanterns



Wall Washing Lamp



LED Strip



LED Hard Light Bar



Geographic Light



AR111